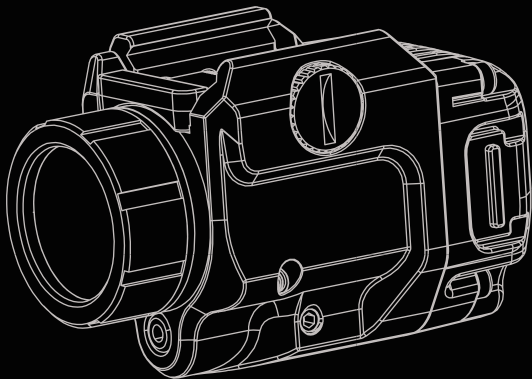




Visible laser emitter
Please avoid direct
exposure.



FMA[®]

紧凑激光战术灯

LR-F8G

FMA www.fma.hk TB1475

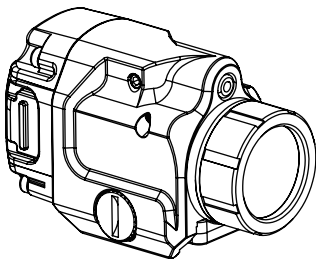
PRODUCT DESCRIPTION



The LR-F8G is an ultra-compact tactical flashlight, with its size and weight being among the smallest in its class. Despite its compact size, it offers complete and powerful functionality. Equipped with a super-bright LED and a green laser pointer, both can be operated simultaneously or individually. The LED utilizes the Coray CREE solution, providing a maximum brightness of up to 300 lumens. The laser employs an imported control chip, ensuring stable power output regardless of temperature fluctuations. Constructed with aerospace-grade aluminum, the exterior is precision-machined and treated with military-grade hard anodizing for durability. Its excellent overall heat dissipation ensures prolonged operation without overheating or performance degradation. With an IPX4 waterproof rating and outstanding shock resistance, this product is highly reliable for daily use.

PARAMETER INFORMATION

Weight	60g	Batteries not included
Size	69.5*37.8*36.5mm	
Material	Hard anodized CNC aluminum alloy	
Battery	(1*) 3V CR123ABattery	Compatible 3.7V
Battery life	>1.5hrs.	
LED White light	300lm	6000K
Laser	3.5mW	Green
Waterproof rating	IPX4	



SAFETY WARNING



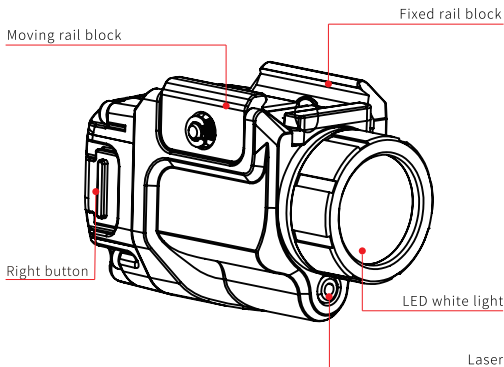
Incorrect use of batteries may result in fire or explosion hazards. Please be aware and ensure that the batteries indeed possess similar physical characteristics to CR123A batteries, but with differing voltage and/or polarity pathways. Ensure that only 3V lithium batteries with a raised positive (+) terminal or equivalent rechargeable batteries are installed in the LR-F8G.

Using non-branded batteries may pose a risk of fire or explosion. Ensure that only 3V disposable batteries or 3V/3.7V rechargeable batteries produced by reputable battery manufacturers are installed in the LR-F8G. These batteries are specifically designed for high-performance, high-drain devices and include built-in fail-safe and thermal protection features.

If using rechargeable batteries, please ensure that genuine 3V and 3.7V batteries produced by reputable battery manufacturers are used. Do not use counterfeit or off-brand batteries, as their unstable voltage may pose a risk of damaging the device or even causing a fire.

1. Do not stare into the laser beam.
2. Do not point the laser beam at the mirror-like surface.
3. Do not observe the laser beam through binoculars or telescopes.
4. Do not shine the laser beam into other people's eyes.

FEATURES AND CONTROLS



GEAR INTRODUCTION

Single key
single press

Power on -power off (automatically remember the last power on mode)

Double key
press

Laser-laser white light-white light mode cycle switching (release the button when the desired power is reached)

INSTALLATION NOTES

Moving rail block

Fixed rail block



Slide rail
adjustment screw

Disassembly Install

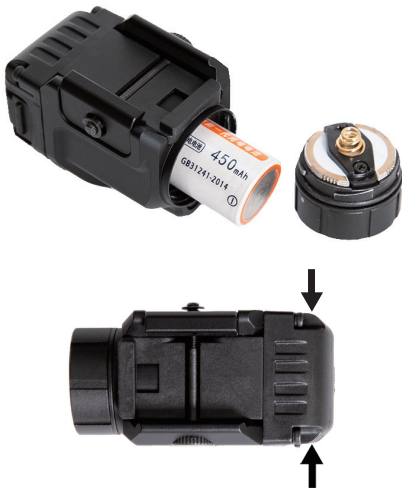
INSTALLATION STEPS:

1. Use a screwdriver to loosen the slide rail adjustment screw.
2. After loosening, push forward to loosen the movable guide rail block to a sufficient position.
3. After aligning the slot with the guide rail, you can push the movable guide rail block with one hand to initially fix the tactical light.
4. Tighten the screw clockwise by hand, then use a screwdriver or other tool to continue turning it clockwise until the tactical light is completely secured onto the rail.

INSTRUCTIONS FOR USE

NEGATIVE POLE FACING OUT

Pay attention to the orientation of the battery and tighten the battery cover after placing the battery correctly.



MODE SWITCH

Long press the dual side buttons to toggle between multiple modes.



www.fma.hk