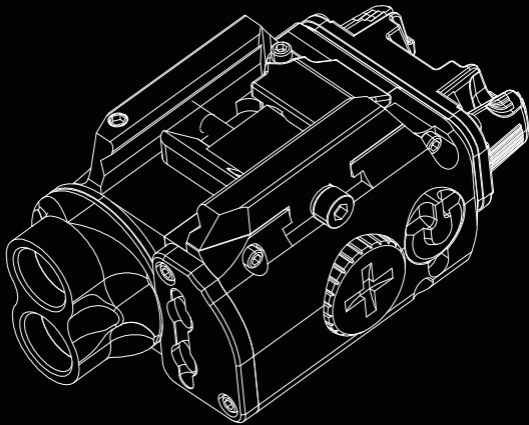


□ BK  
■ DE



VISIBLE AND INVISIBLE LASER RADIATION  
AVOID EXPOSURE TO BEAM  
CLASS 3B LASER PRODUCT



**FMA**<sup>®</sup>

# XVL2-IRC 战术灯

XVL2-IRC TacticalLight

[www.fma.hk](http://www.fma.hk) / TB1407

## PRODUCT DESCRIPTION



The XVL2-IRC tactical flashlight is a very useful product, with a small size, lightweight, complete and powerful functions. One of the special designs of this flashlight is the integrated lamp head that can be quickly replaced. Behind the lamp head is the battery compartment, so there is no need to disassemble the flashlight to replace the battery. In terms of functions, this compact flashlight is very powerful, with visible laser, invisible laser, and LED lighting all in one. The laser head is designed coaxially, and it can be zeroed with a flat-head screwdriver, making the zeroing process extremely simple. It has seven gear designs, and the switch is conveniently operated by the index finger without any unnecessary movements. The shell is made of aerospace aluminum alloy with a hard anodized process, and it is powered by a CR123 battery.

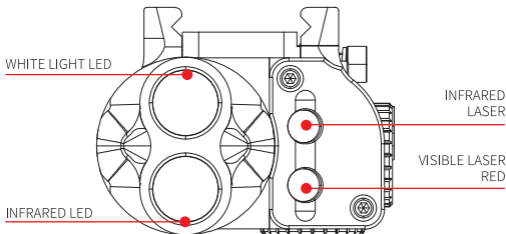
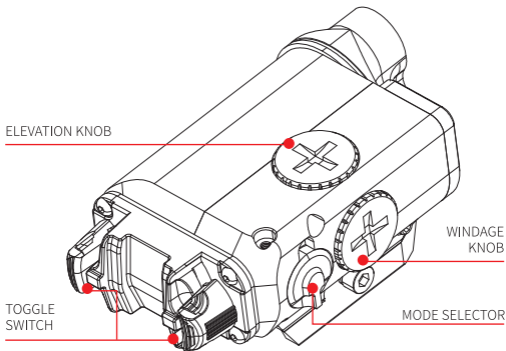
## PARAMETER INFORMATION

Size	77mm (L) *44mm (W) 35mm (H)	
Weight	118g (Net weight excluding battery)	
Battery types	(1*) 3V CR123A Battery	Compatible 3.7V
Battery life	>1 .5hrs	
Red visible laser	Wavelength: 650nm	Power: 5mW
IR Laser	Wavelength: 850nm	Power: 5mW
LED White light	Color temperature: 6000K	Lumen: 230lm
IR Illum	Wavelength: 850nm	Power: >0.75W
Waterproof rating	IPX4	
Material	Hard anodized CNC aluminum alloy	

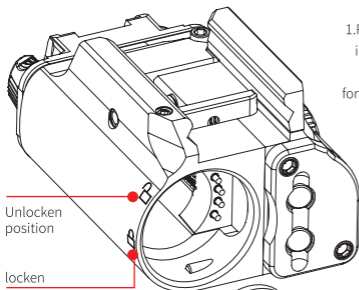
## ■ GEAR DESCRIPTION TABLE

Gear	Function	Power
Gear0	OFF	
Gear1	LED white light	Power: >1.5W
Gear2	Visible red laser	Power: 5mW
Gear3	LED white light + red visible laser	
Gear4	OFF	
Gear5	IR Illum	Power: >0.75W
Gear6	IR Laser	Power: 5mW
Gear7	IR Illum+IR Laser	

# KEY DESCRIPTION



# BATTERY ASSEMBLY METHOD

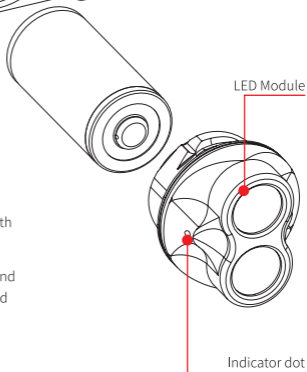


1. Rotate by hand and align indicator dot with unlock symbol and gently pull forward on the LED Module

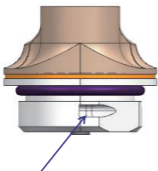
2. Insert fresh battery into the body with the positive (+) terminal facing forward as shown.

3. Align indicator dot on head with unlock symbol.

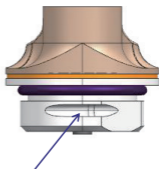
4. Insert LED Module into body and rotate by hand until dot is aligned with the lock indicator.



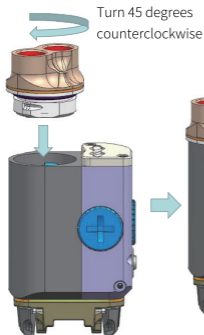
# BATTERY ASSEMBLY METHOD



The short slot is the front

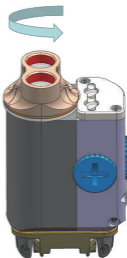


The long slot is the bottom surface



Turn 45 degrees  
counterclockwise

Turn clockwise 45 degrees  
back to straight



Turn the lamp head 45 degrees counterclockwise and insert it into the main body, then turn it 45 degrees clockwise and return it to the straight position before assembly is complete. Remember to distinguish the front and bottom surfaces when assembling the lamp head.



[www.fma.hk](http://www.fma.hk)