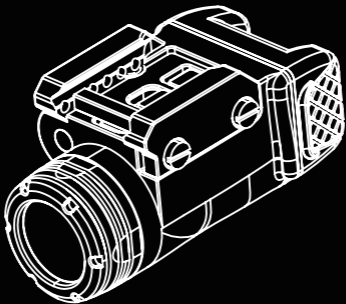


FMA[®]

TOR FUSION



Visible white light and
laser emitters. Please avoid
direct exposure.

PRODUCT DESCRIPTION



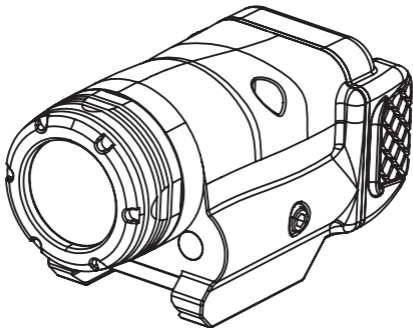
The FMA TOR Fusion is a product that closely meets the practical needs of customers. It features ultra-bright laser and LED white light, as well as hardened anodized aluminum alloy material. It has an IPX4 waterproof rating and is compatible with various Picatinny rails of different equipment specifications.

The light spot of the The FMA TOR Fusion is very large and has a super high brightness, reaching up to 300 lumens. Its use in certain scenarios can help users deal with any challenges, especially the flash function in high-power mode, which can effectively shock and protect oneself.

The high-power green laser of the FMA TOR FUSION can clearly point to the target in various environments, helping users quickly aim at the target.

PARAMETER INFORMATION

Size	69.5*37.8*36.5mm	
Weight	91g (Net weight excluding battery.)	
Battery types	(1*) 3V CR123A Battery	Compatible 3.7V
Battery life	>1 .5hrs.	High Power Mode
LED White light	Low Power 25lm.Middle Power100lm. High Power300lm.	
Laser	Low Power0.6mW.Middle Power1.6mW. High Power3.5mW	Green Laser
Waterproof rating	IPX4	
Material	Hard anodized CNC aluminum alloy	



SAFETY WARNING



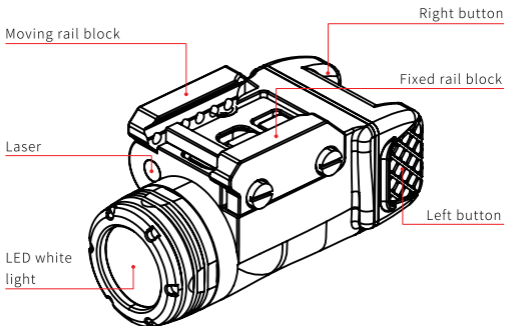
Using incorrect batteries creates a risk of fire or explosion. As a note, make sure the battery does have similar physical characteristics to a CR123A battery, but has a different voltage and/or polarity path. Make sure that only 3V lithium batteries with raised positive (+) terminals or rechargeable batteries of the same type are installed in the TOR Fusion.

There is a risk of fire or explosion when using non-branded batteries. Make sure to install only 3V disposable batteries or 3V and 3.7V rechargeable batteries from reputable battery manufacturers in the TOR Fusion. These batteries are specifically designed for use in high-performance, high-drainage equipment and contain built-in faults, and thermal protection function.

If you use rechargeable batteries, make sure to use genuine 3V and 3.7V batteries produced by well-known battery manufacturers. Do not use off-brand or counterfeit batteries. Due to its unstable voltage, it may cause equipment damage or even risk of fire.

1. Do not stare into the laser beam.
2. Do not point the laser beam at the mirror-like surface.
3. Do not observe the laser beam through binoculars or telescopes.
4. Do not shine the laser beam into other people's eyes.

FEATURES AND CONTROLS



GEAR INTRODUCTION

Single button press	Power on - power off (automatically remember the last power on mode)
Single button long press	Low - medium - high - strobe power cycle switching (release the button when the desired power is reached)
Double button long press	Laser - laser white light - white light mode cycle switching (release the button when the desired power is reached)

(Note: Strobe mode is only applicable to white light function, laser does not have a strobe mode)

INSTALLATION NOTES



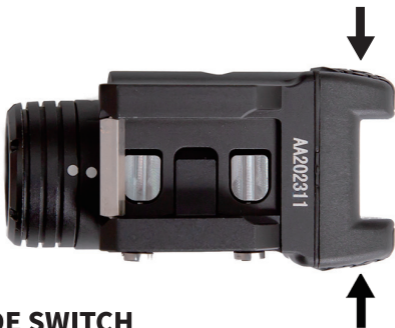
INSTALLATION STEPS:

1. Use a screwdriver to loosen the slide rail adjustment screw.
2. After loosening, push forward to loosen the movable guide rail block to a sufficient position.
3. After aligning the slot with the guide rail, you can push the movable guide rail block with one hand to initially fix the tactical light.
4. Tighten the screw clockwise by hand, and then use a screwdriver or other tool to continue tightening.

INSTRUCTIONS FOR USE

NEGATIVE POLE FACING OUT

Pay attention to the orientation of the battery and tighten the battery cover after placing the battery correctly.



MODE SWITCH

Single button press, single button long press, double button long press, multiple modes can be switched.



www.fma.hk