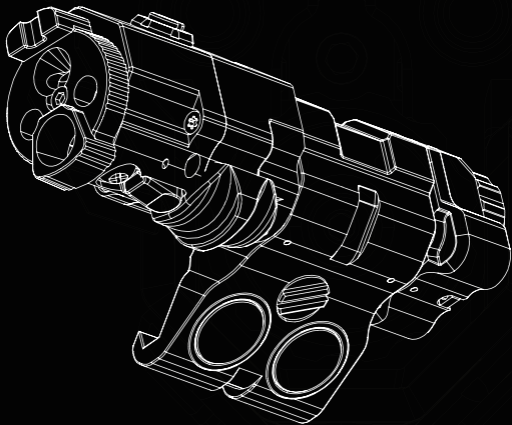




Visible and invisible laser emitters. Please avoid direct exposure.



**FMA<sup>®</sup>**

---

**MAWL-C1+**  
NYLON VERSION

FMA 2023 [www.fma.hk](http://www.fma.hk) / TB1466

# PRODUCT DESCRIPTION

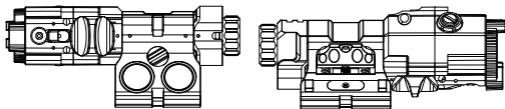
1. MAWL stands for MODULAR ADVANCED WEAPON LASER, which means modular advanced weapon laser. Its biggest feature is its three-section structure, which can be split into three sections with just one screw. And its operating concept and switching mode are different from any current similar products. Its dual switches and integrated design are very popular designs.

2. In terms of appearance, the product has been optimized to match the currently popular "C-shaped grip". Users can easily obtain the desired functions without changing their posture. And the design of its switches and gears also takes into account the user's need to remain stable during the operation without having to move the body significantly due to function adjustments.

3. From a functional point of view, MAWL achieves many practical functions in a fairly small and low-profile volume, and the IR laser power locking screw is designed in a position that does not affect operation, which is quite practical.

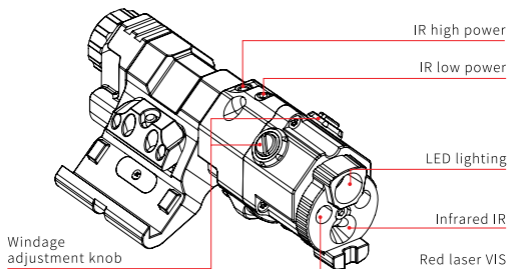
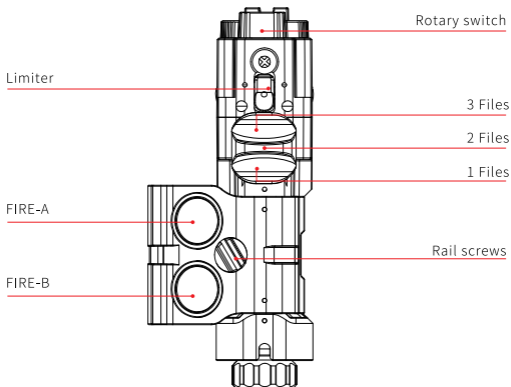
4. FMA MAWL-C1+ NYLON VERSION is the latest new practical product for users launched by FMA. Its appearance is made of nylon material. And it has functions such as LED white tube, visible laser, IR invisible fill light, etc. The structure also adopts the same three-section split structure as the original product. The parts can be disassembled or replaced with one screw, which greatly enhances MAWL's future scalability. The multi-position double switch design fully considers the practicality and needs of users in multiple scenarios, retaining MAWL's most important features of ease of use and powerful functions. And this time FMA MAWL-C1+ NYLON VERSION has passed high and low temperature tests, impact tests, and waterproof tests. It can be said that this is a very practical and easy-to-use accessory.

# PARAMETER INFORMATION



Size	133.8*100.8*55mm	
Weight	165g (Batteries not included)	
Battery Type	(1 cell) 3V CR123A lithium battery	Compatible with 3.7V
Battery Life	> 6 hrs. (Test environment 26 °C)	Theoretical value
Waterproof level	IPX4	
Operating temperature	-20°C to 50°C	
Visible laser	The test environment room temperature is 26 degrees	
Output Power	High power: 3.5mw, Low power: 0.5mw	
Invisible laser	The test environment room temperature is 26 degrees	
Output Power	High power: 7mw, Low power: 2mw	
LED white light	The test environment room temperature is 26 degrees	
Output Power	Low brightness L: 12 lumens (lm), High brightness H: 35 lumens (lm)	
Indicator light	The yellow light is on when the switch is powered on, and the green light is on when the function button is pressed.	

# FEATURES AND CONTROLS



## GEAR DESCRIPTION



### 360° ADJUSTMENT

The switch mode can be switched at any time by rotating the switch



When the knob is turned to the IR position - power on



When the knob is turned to the OFF position - shut down

## MULTI-POSITION DESIGN



### 1 FILES

LED white light + IR fill light



### 2 FILES

LED white light + laser aiming (low power)



### 3 FILES

LED white light + laser aiming (high power)

# DISASSEMBLY INSTRUCTIONS



Adjustable screw hole



Unscrew the screw counterclockwise to remove the battery cover



Three-section split structure

The structure also adopts the same three-section split structure as the original product, and parts can be disassembled or replaced with one screw.



## NEGATIVE POLE FACING OUT

Pay attention to the orientation of the battery and tighten the battery cover after placing the battery correctly.



## NEW PICATINNY RAIL SLOT

Fixed by a single screw, it matches various types of guide rails without tolerances and has strong stability.



### ■ ROTARY SWITCH - GEAR DESCRIPTION:

GEAR	FUNCTION	ILLUSTRATE
OFF	Shut down	Rotate 180 degrees
IR	Shut down	Rotate 180 degrees

# FUNCTION DESCRIPTION

## ■ 1ST GEAR-FUNCTION DESCRIPTION:

GEAR	FUNCTION	ILLUSTRATE
FIRE-A (single press)	Single press, single light-LED white light (low power)	
FIRE-B (single press)	Single press, single light - IR fill light	
FIRE-B (double click)	Always on-IR fill light	Click to close function

Note: Adjust the high and low power of IR fill light by switching the position of the lower screw.

## ■ 2ND GEAR-FUNCTION DESCRIPTION:

GEAR	FUNCTION	ILLUSTRATE
FIRE-A (double click)	Always on - LED white light (low power)	Press A+B keys simultaneously to close
FIRE-A (press and hold for 3 seconds)	Always on - visible laser (low power)	Press A+B keys simultaneously to close
FIRE-A (three strikes)	Turn off LEDs and lasers that are on at the same time	

Note: White light and visible laser can be turned on at the same time

## ■ 3RD GEAR-FUNCTION DESCRIPTION:

GEAR	FUNCTION	ILLUSTRATE
FIRE-A (double click)	Always on - LED white light (high power)	Press A+B keys simultaneously to close
FIRE-A (press and hold for 3 seconds)	Always on - visible laser (high power)	Press A+B keys simultaneously to close
FIRE-A (three strikes)	Turn off LEDs and lasers that are on at the same time	

Note: The third gear needs to press the front limiter



**AVAILABLE IN TWO COLORS**



# SAFETY WARNING



Using incorrect batteries creates a risk of fire or explosion. As a note, make sure the battery does have similar physical characteristics to a CR123A battery, but has a different voltage and/or polarity path. Make sure that only 3V lithium batteries with raised positive (+) terminals or rechargeable batteries of the same type are installed in the MAWL.

There is a risk of fire or explosion when using non-branded batteries. Ensure that only 3V disposable batteries or 3V and 3.7V rechargeable batteries are installed in the MAWL from reputable battery manufacturers. These batteries are specifically designed for use in high-performance, high-drainage equipment and contain built-in fault and thermal protection. Protective function.

If you use rechargeable batteries, make sure to use genuine 3V and 3.7V batteries produced by well-known battery manufacturers. Do not use off-brand or counterfeit batteries. Due to its unstable voltage, it may cause equipment damage or even risk of fire.

1. Do not stare into the laser beam.
2. Do not point the laser beam at the mirror-like surface.
3. Do not observe the laser beam through binoculars or telescopes.
4. Do not shine the laser beam into other people's eyes.



[www.fma.hk](http://www.fma.hk)